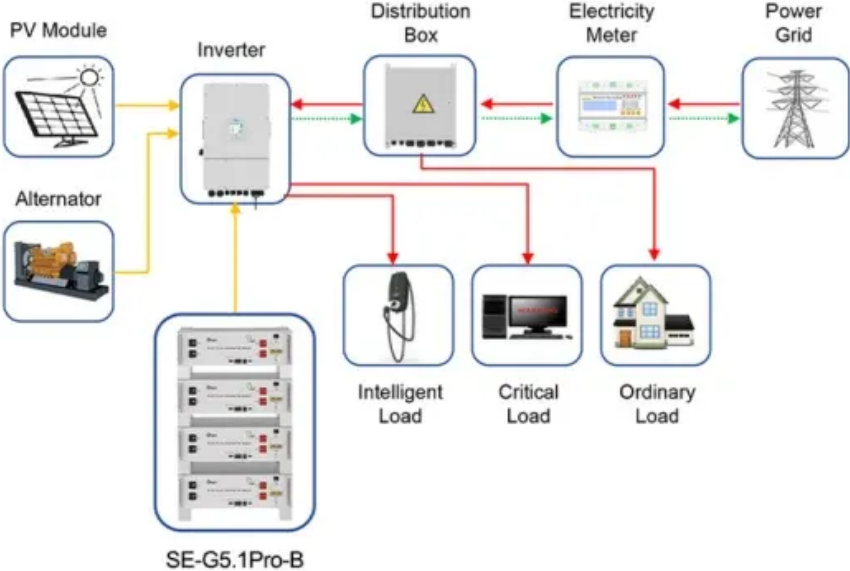


# New directions in solar energy and energy storage



Application scenarios of energy storage battery products



## Overview

---

Discover the latest emerging trends in solar storage technology, from advanced lithium-ion, flow, and solid-state batteries to AI-powered energy management systems.

## New directions in solar energy and energy storage

---



### When to use "new" and when not to, in C++?

You should use new when you wish an object to remain in existence until you delete it. If you do not use new then the object will be destroyed when it goes out of scope.

### Is JavaScript's "new" keyword considered harmful?

It is NOT 'bad' to use the new keyword. But if you forget it, you will be calling the object constructor as a regular function. If your constructor doesn't check its execution context then it won't notice that 'this'



### What is the 'new' keyword in JavaScript?

The new keyword in JavaScript can be quite confusing when it is first encountered, as people tend to think that JavaScript is not an object-oriented programming language. What is it? What problems

### javascript

83 new() describes a constructor signature in typescript. What that means is that it describes the shape of the constructor. For instance take {new(): T; }. You are right it is a type. It is the type of a class



### [What is the Difference Between 'new object\(\)' and 'new {}' in C#?](#)



### oracle database

Can anyone help me understand when to use :NEW and :OLD in PLSQL blocks, I'm finding it very difficult to understand their usage.

Note that if you declared it `var a = new { };` and `var o = new object();`, then there is one difference, former is assignable only to another similar anonymous object, while latter being object, it



### Energy Storage

The Energy Department is developing new technologies that will store renewable energy for use when the wind isn't blowing and the sun isn't shining.

### How does the new operator work in JavaScript?

The new operator uses the internal `[[ ]]` method, and it basically does the following: Initializes a new native object Sets the internal `[[ ]]` of this object, pointing to the Function prototype



### Current technologies development for renewable

This paper outlines the essential components of various energy storage systems and examines their benefits and drawbacks across the full

### new operator

In the specific case of throw, `throw new()` is a shorthand for `throw new Exception()`. The feature was introduced in c# 9 and you can find the



documentation as Target-typed new expressions.



[New site design and philosophy for Stack Overflow: Starting February](#)

Ah, but new experts will rise up and embrace the new, friendly Stack Overflow that they have always wanted. And maybe rediscover the same things the bitter, hateful old guard found.

## Contact Us

---

For catalog requests, pricing, or partnerships, please visit:  
<https://xaviergmphoto.es>