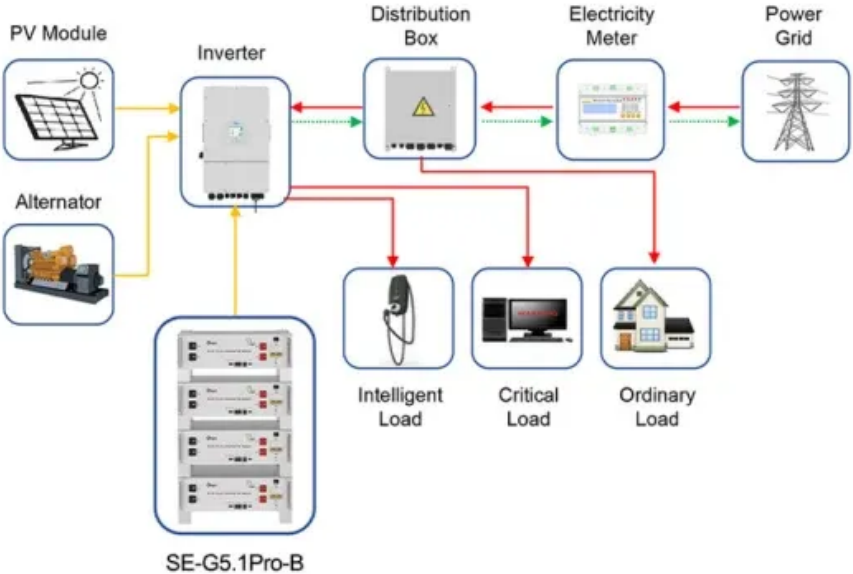


# Various routines for solar panels



Application scenarios of energy storage battery products



## Overview

---

In this blog, we'll walk you through a solar panel maintenance checklist that covers everything from pre-maintenance prep to post-maintenance review. With our expert tips and step-by-step instructions, you'll not only protect your investment but also extend the lifespan of your.

## Various routines for solar panels

---



### **A Guide to Solar System Maintenance , SolarEdge**

This guide aims to educate solar system owners on the importance of maintenance, providing practical insights, tips, and best practices for maintaining their solar energy systems.

### **various adjective**

Definition of various adjective in Oxford Advanced Learner's Dictionary. Meaning, pronunciation, picture, example sentences, grammar, usage notes, synonyms and more.



### **What is another word for various?**

Find 889 synonyms for various and other similar words that you can use instead based on 9 separate contexts from our thesaurus.

### **Contact , Various Small Fires**

Los Angeles Opening Spring 2026 Esther Kim Varet, Owner Angela Robins, Senior Director Allie Demers, Gallery Assistant Orange County 119 N Prospect Ave, Tustin, CA 92780 +1 714 384 96 16



### **VARIOUS Synonyms & Antonyms**

Find 67 different ways to say VARIOUS, along with antonyms, related words, and example sentences at Thesaurus .

[VARIOUS definition and meaning , Collins English Dictionary](#)

If a number of things are described as various, they are very different from one another. The methods are many and various. the country's rich and various heritage.



**VARIOUS , English meaning**

There are various points to look out for when you're judging dogs in a competition. There seems to be very little communication between the various government departments.

**various**

Adjective various (not comparable) Having a broad range (of different elements). The reasons are various. (dated) That varies or differs from others; variant; different, sundry. a various



**VARIOUS Definition & Meaning , Dictionary**

VARIOUS definition: of different kinds, as two or more things; differing one from another. See examples of various used in a sentence.

**Various**

Various comes from the Latin word varius, meaning "changing, different, diverse." If you have various interests, you have a lot of them, and they represent a range - you might love hip hop, movies from



**2026 Solar Panel Maintenance Guide: How to Clean**



### **VARIOUS Definition & Meaning**

different, diverse, divergent, disparate, various mean unlike in kind or character. different may imply little more than separateness but it may also imply contrast or contrariness.

Solar panel maintenance guide with safe cleaning tips, tools, and DIY steps to keep your panels efficient and producing peak power.



## **Contact Us**

---

For catalog requests, pricing, or partnerships, please visit:  
<https://xaviergmphoto.es>